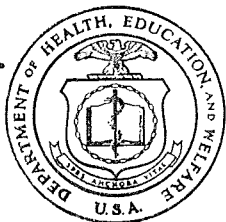


JALVA70



The
SANITARY PRIVY

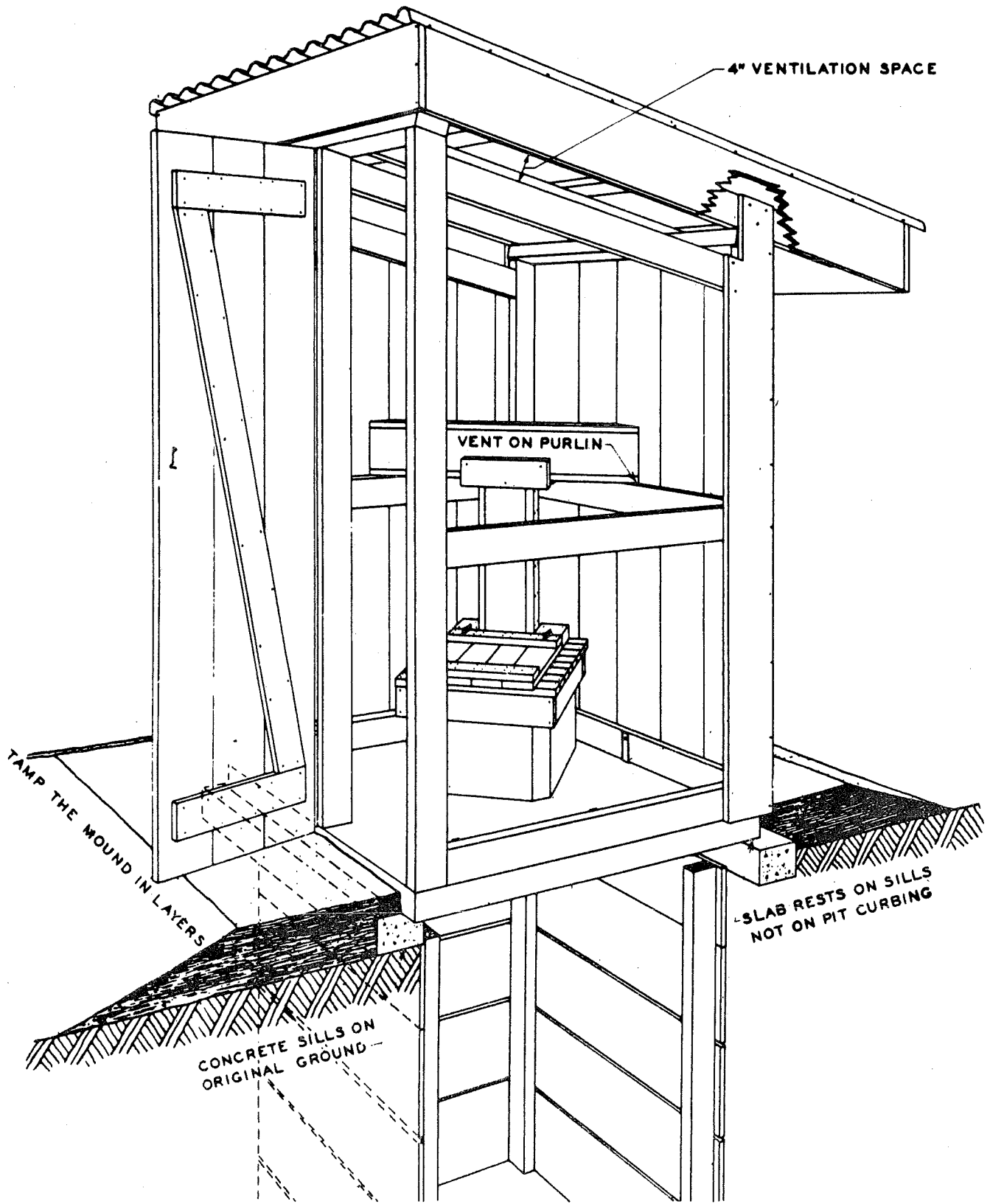
**CONSTRUCTION PLANS AND SPECIFICATIONS OF
EARTH-PIT PRIVY
WITH CONCRETE SLAB AND
DIAGONAL RISER**



U. S. DEPARTMENT OF HEALTH, EDUCATION, AND WELFARE
Public Health Service

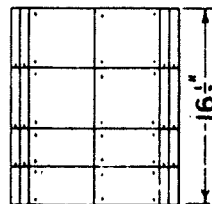
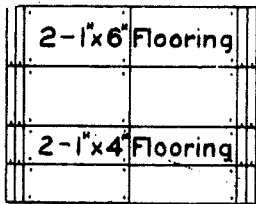
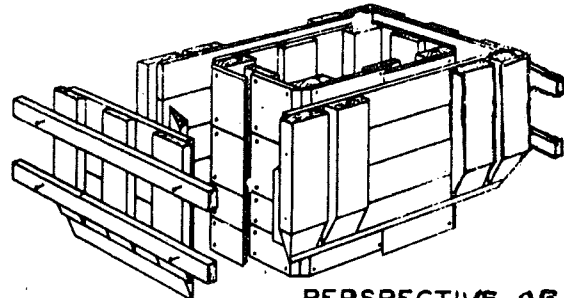
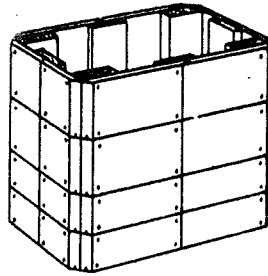
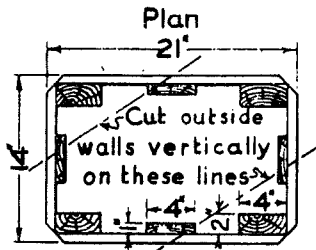
**"This publication was originally printed as Revised Type No. IV
of Supplement No. 108 to the Public Health Reports"**

Reprinted May 1963

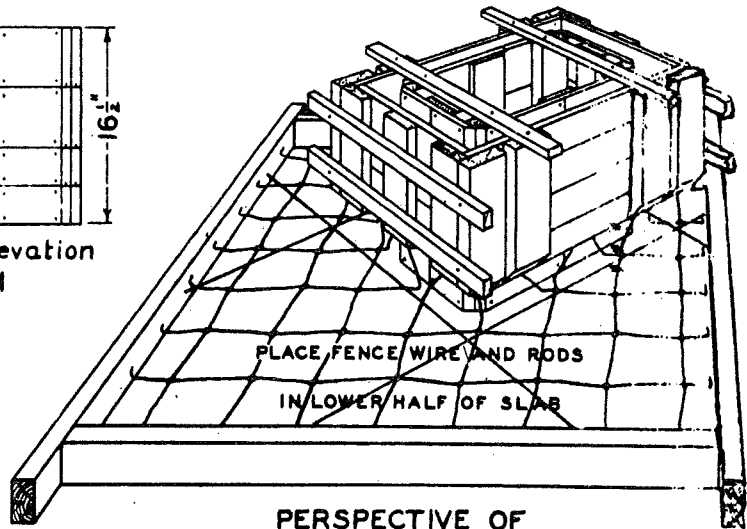


R-41

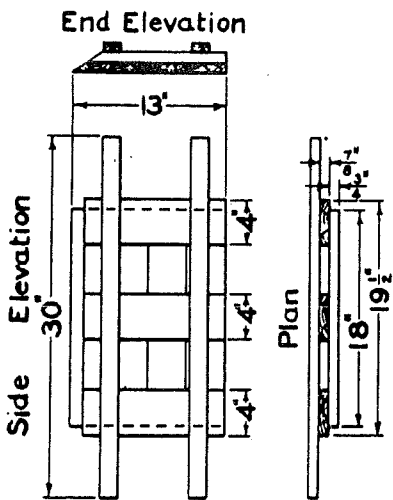
Use dressed lumber for forms. Oil inside of forms thoroughly before and after use



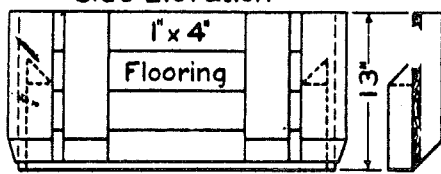
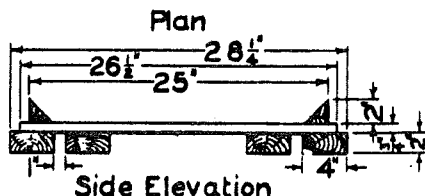
Side Elevation End Elevation
RISER CORE FORM



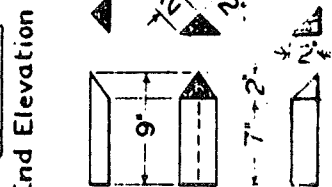
PERSPECTIVE OF THE COMPLETE RISER AND SLAB FORMS ASSEMBLED



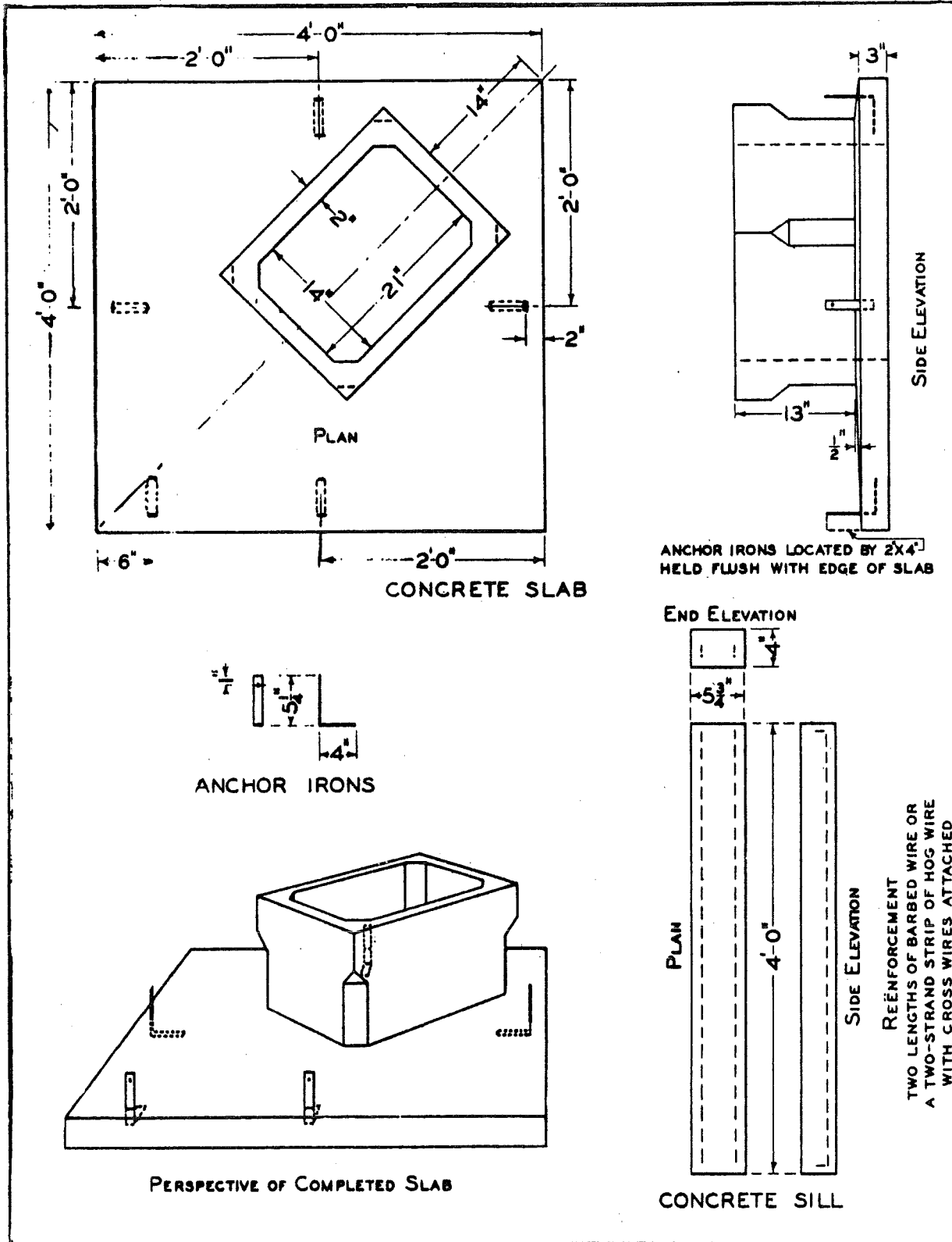
RISER FORM END

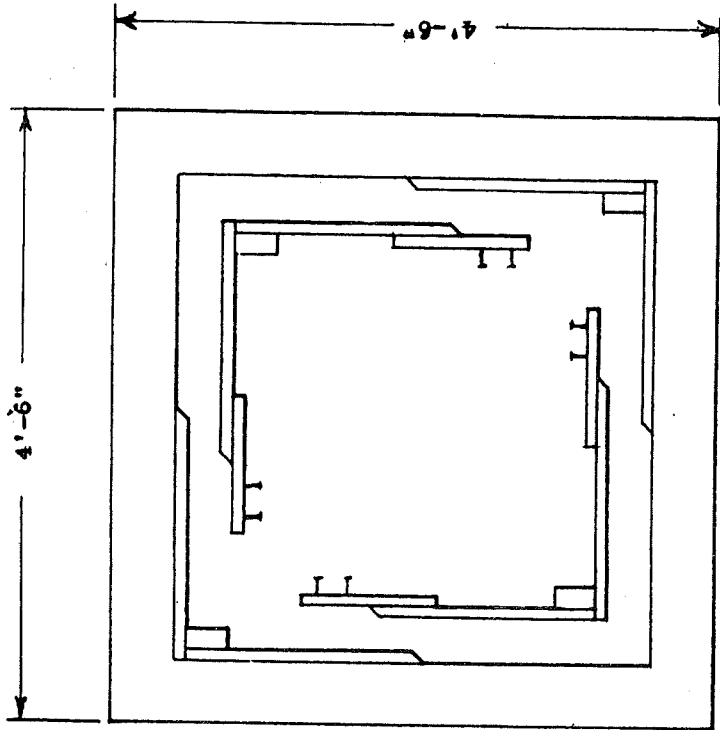


RISER FORM SIDE



R41



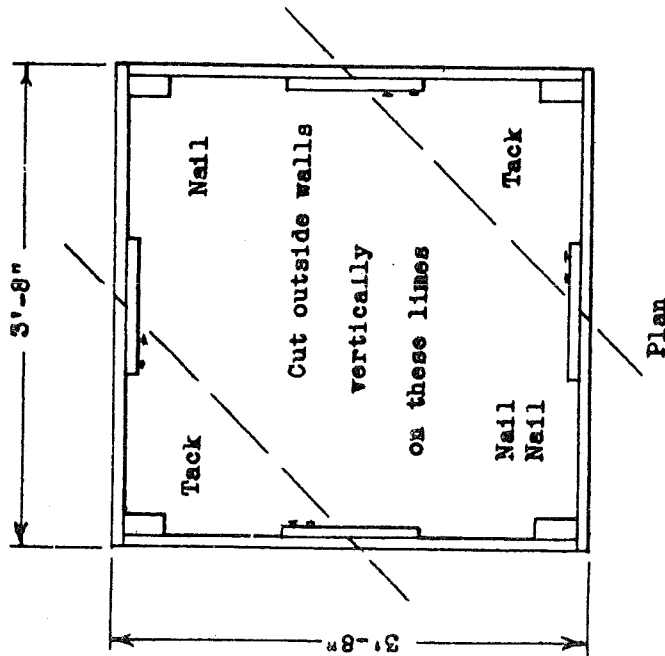


Plan

Completed Ring Sill

Showing how inner form

is removed

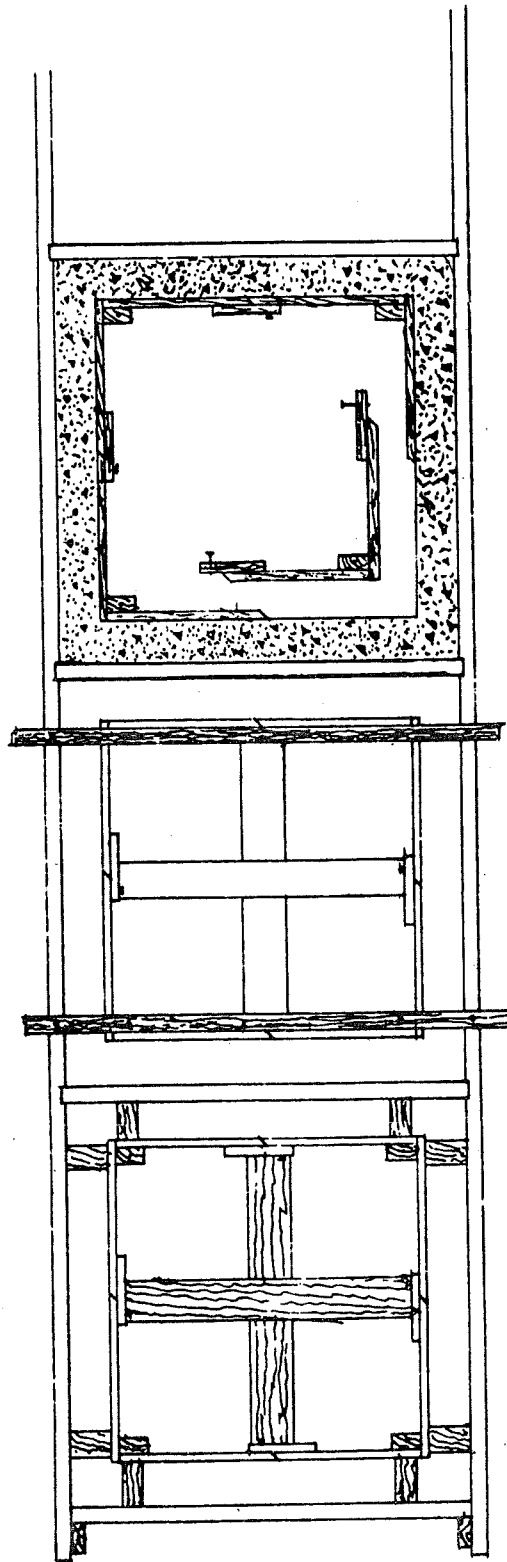


Plan

Inner Form

ONE PIECE RING SILL

Supplement A to Plates 3 and 4.



Plan

Locating inner form with spacer blocks for even width of sill ring

Plan

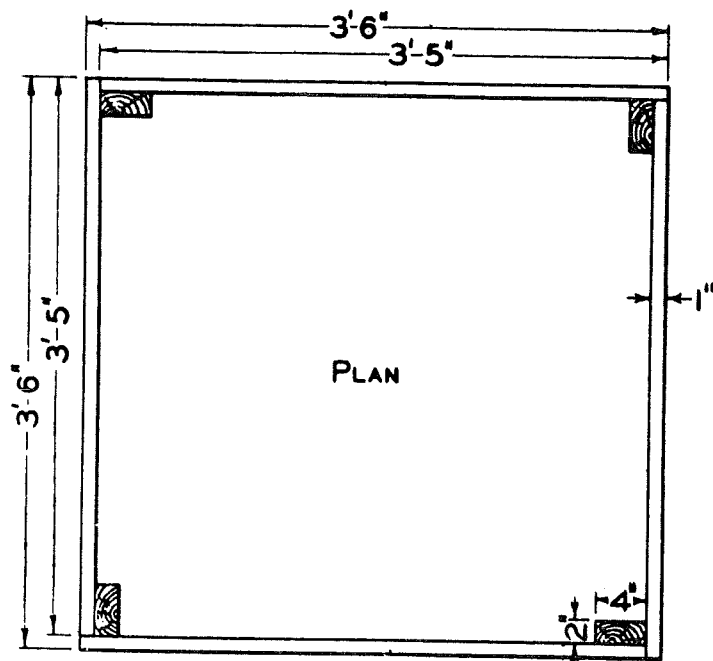
Inner form secured by straps spacer blocks removed ready to pour

Plan

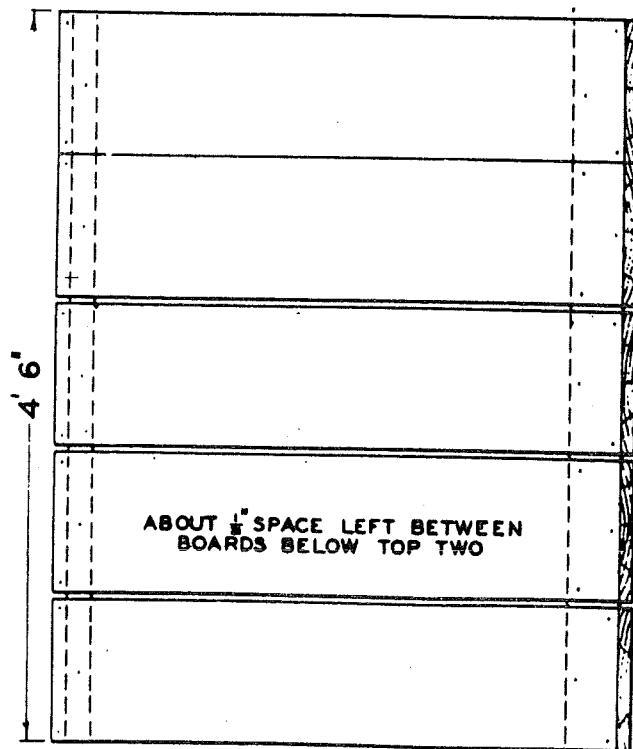
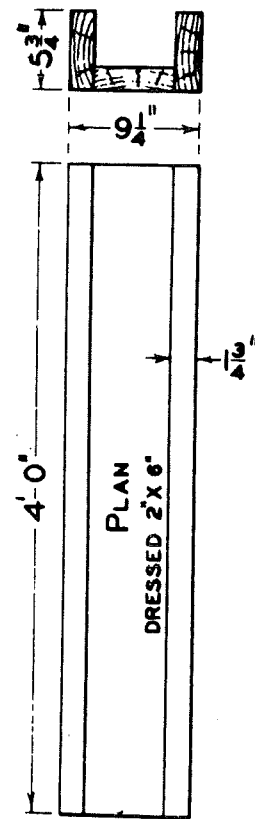
Removal of inner form

FORMS FOR MULTIPLE POURING OF ONE PIECE RING SILL

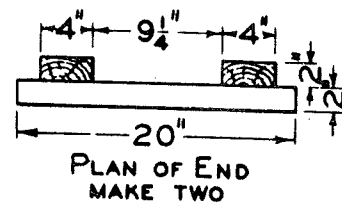
Supplement B to Plates 3 and 4



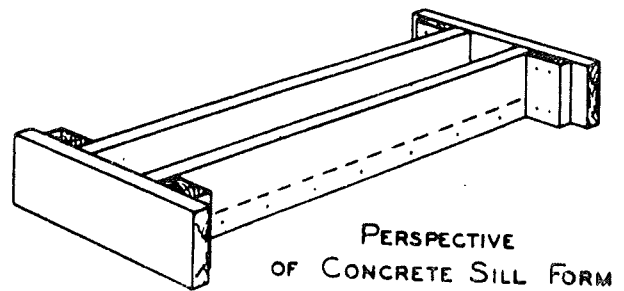
END ELEVATION



SIDE ELEVATION
PIT CURBING

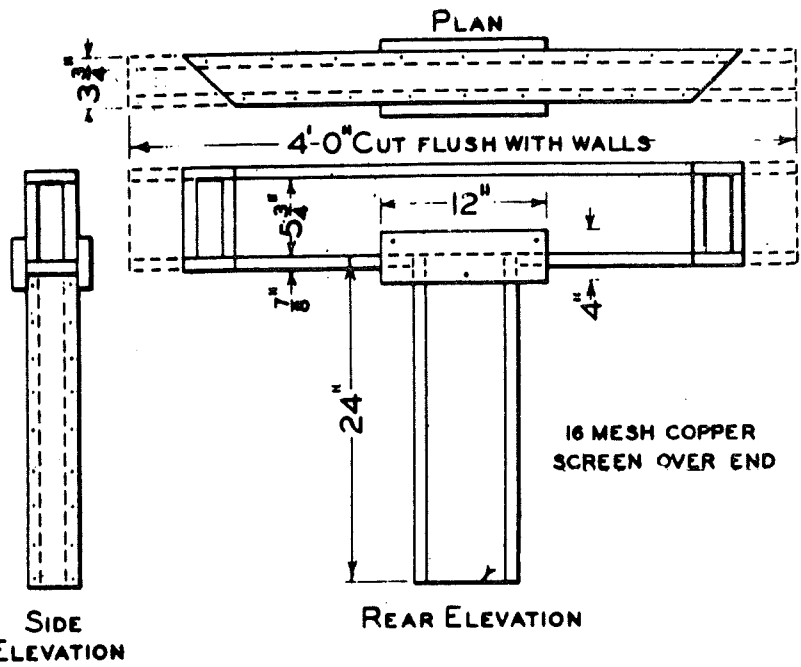
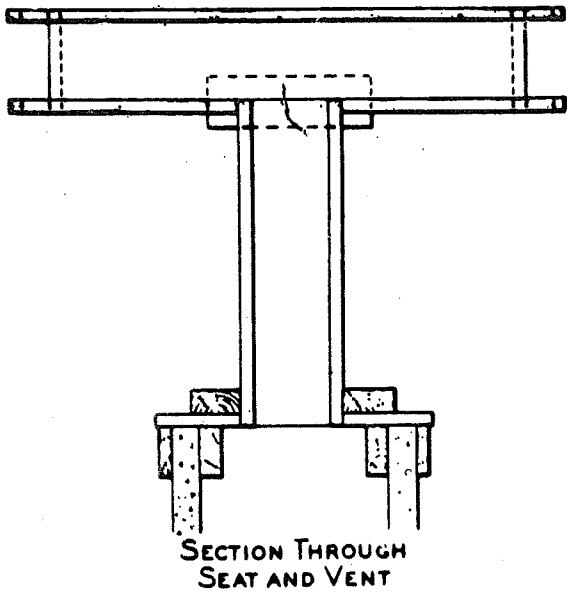


CONCRETE SILL FORM

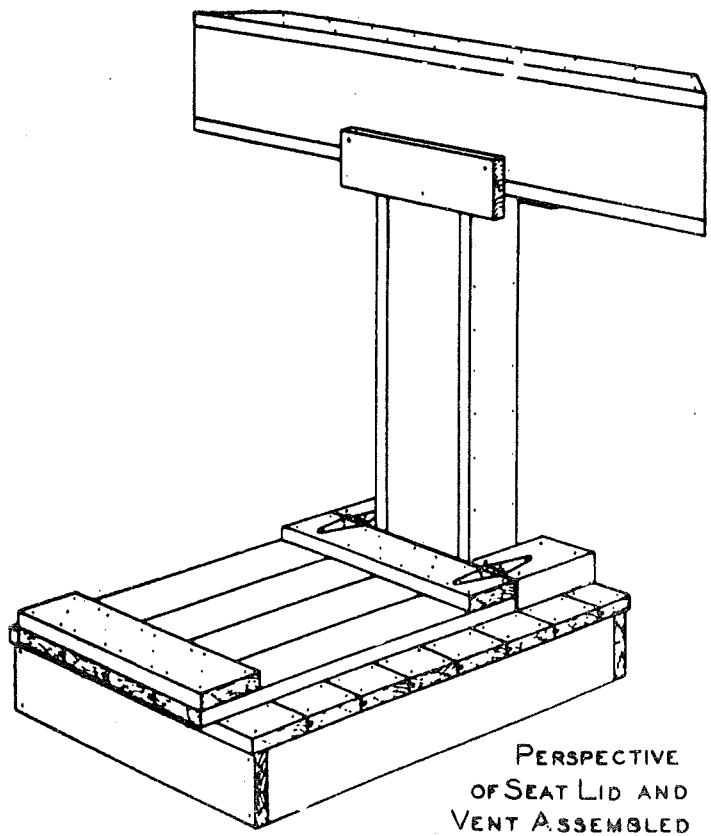
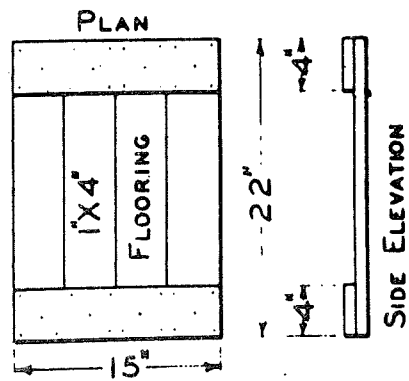
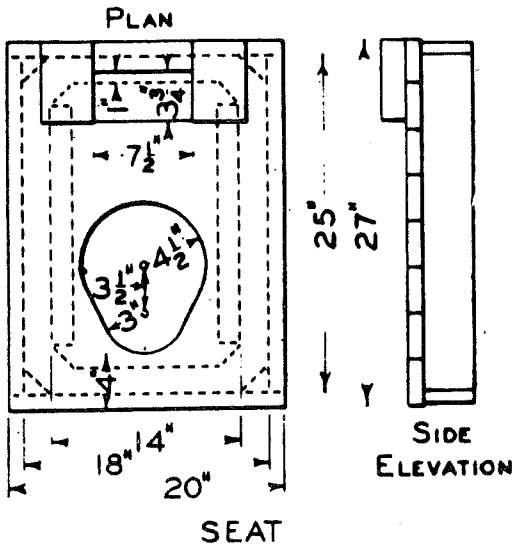


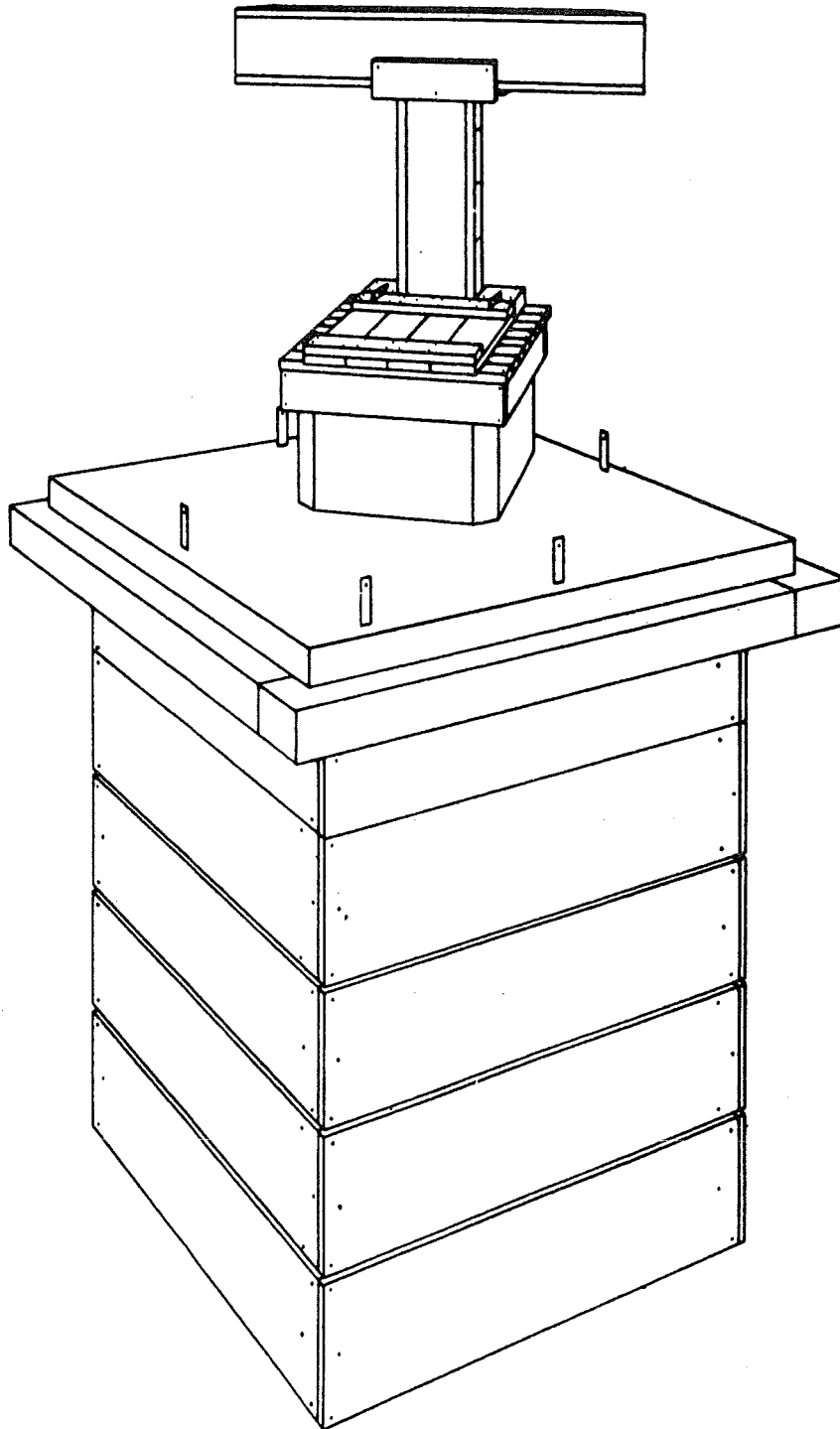
PLACE PIT CURBING 4'-5 1/2" IN GROUND
WITH 1/2" ABOVE ORIGINAL SURFACE

USE 1x4 & 1x6 FLOORING FOR SEAT LID AND VENT

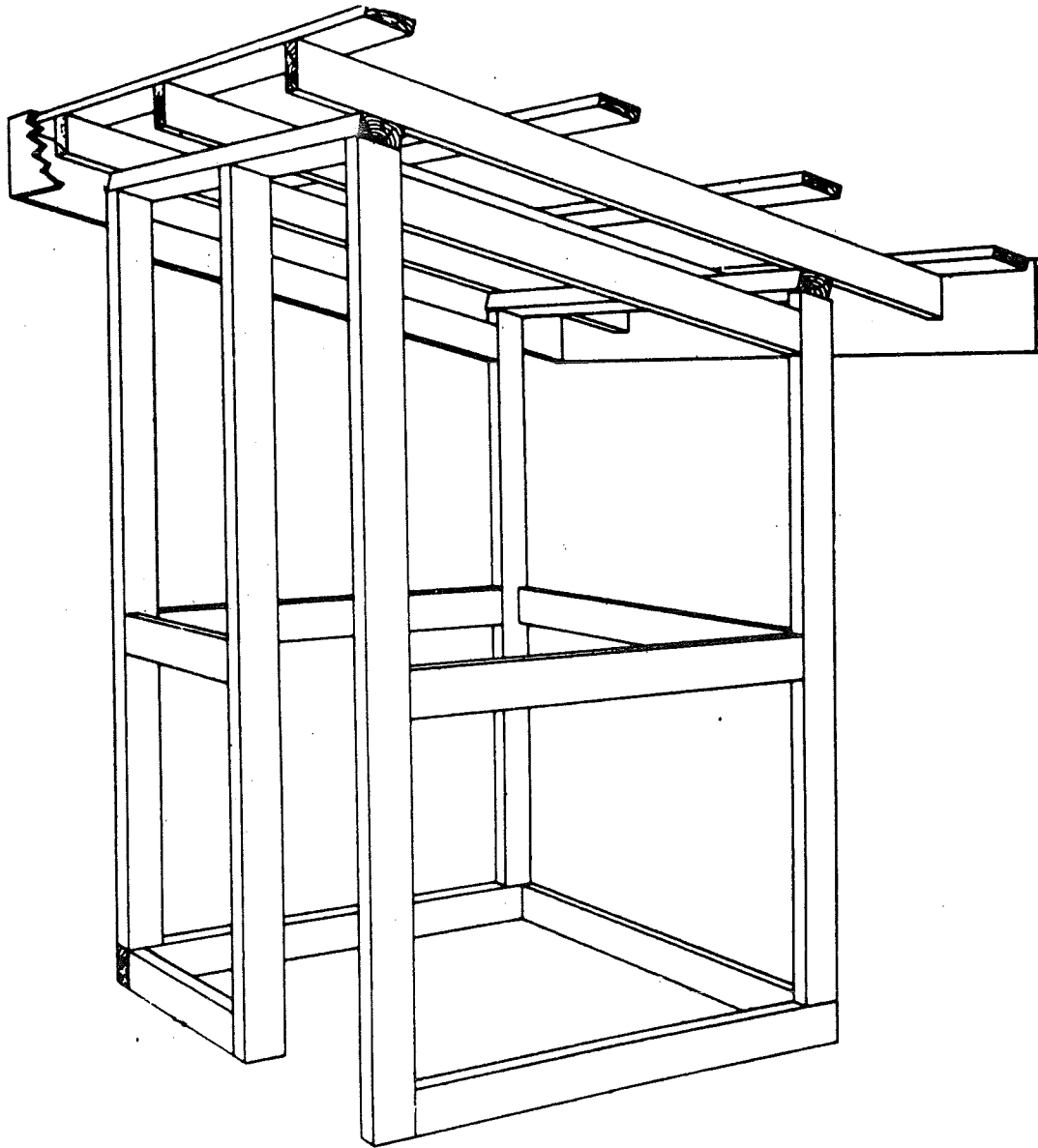


VENT PIPE

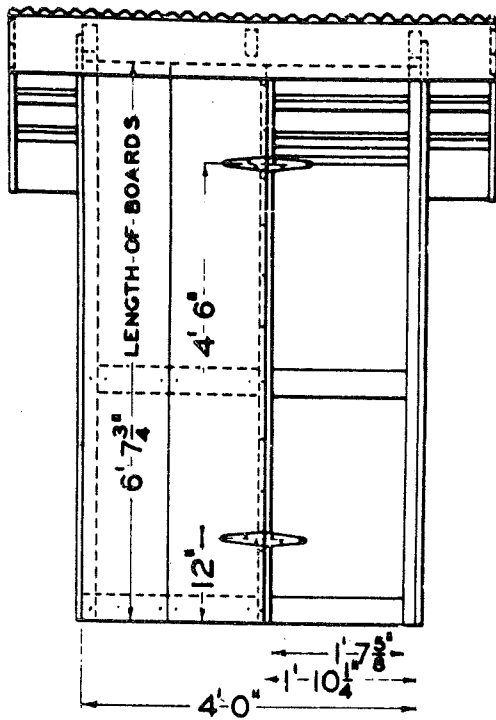




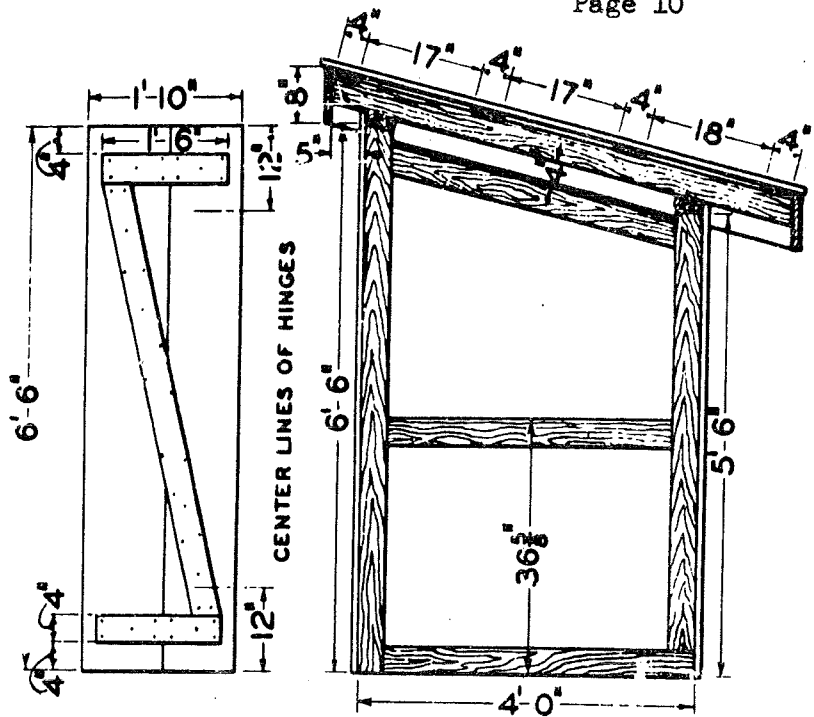
PERSPECTIVE OF THE SANITARY UNIT ASSEMBLED
PIT CURBING, SILLS, SLAB, SEAT AND VENT



PERSPECTIVE OF COMPLETE HOUSE FRAME

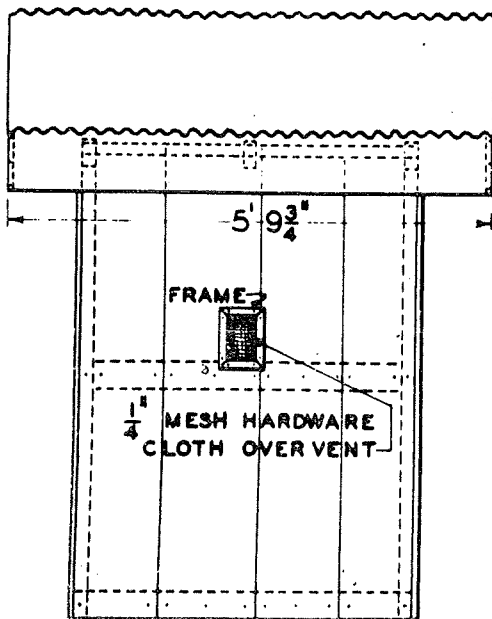


FRONT ELEVATION

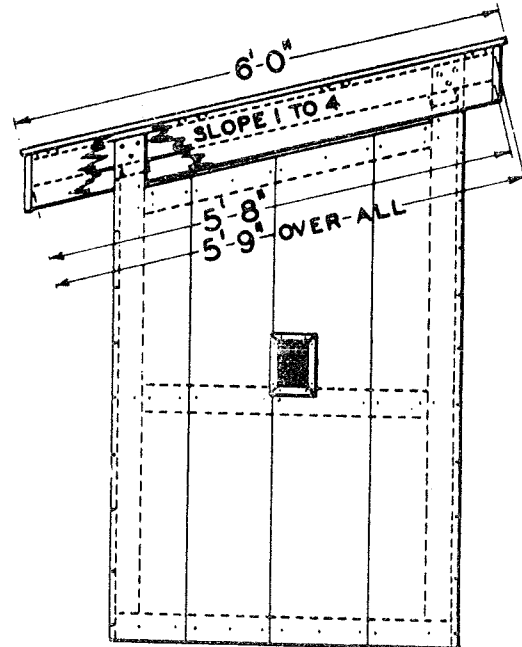


RIGHT SIDE ELEVATION
FRAME BEFORE BOARDING

USE 1" BOARDS FOR WALLS
2" X 4" FOR FRAMING
1" X 4" FOR LATHING
1" X 8" FOR FASCIA



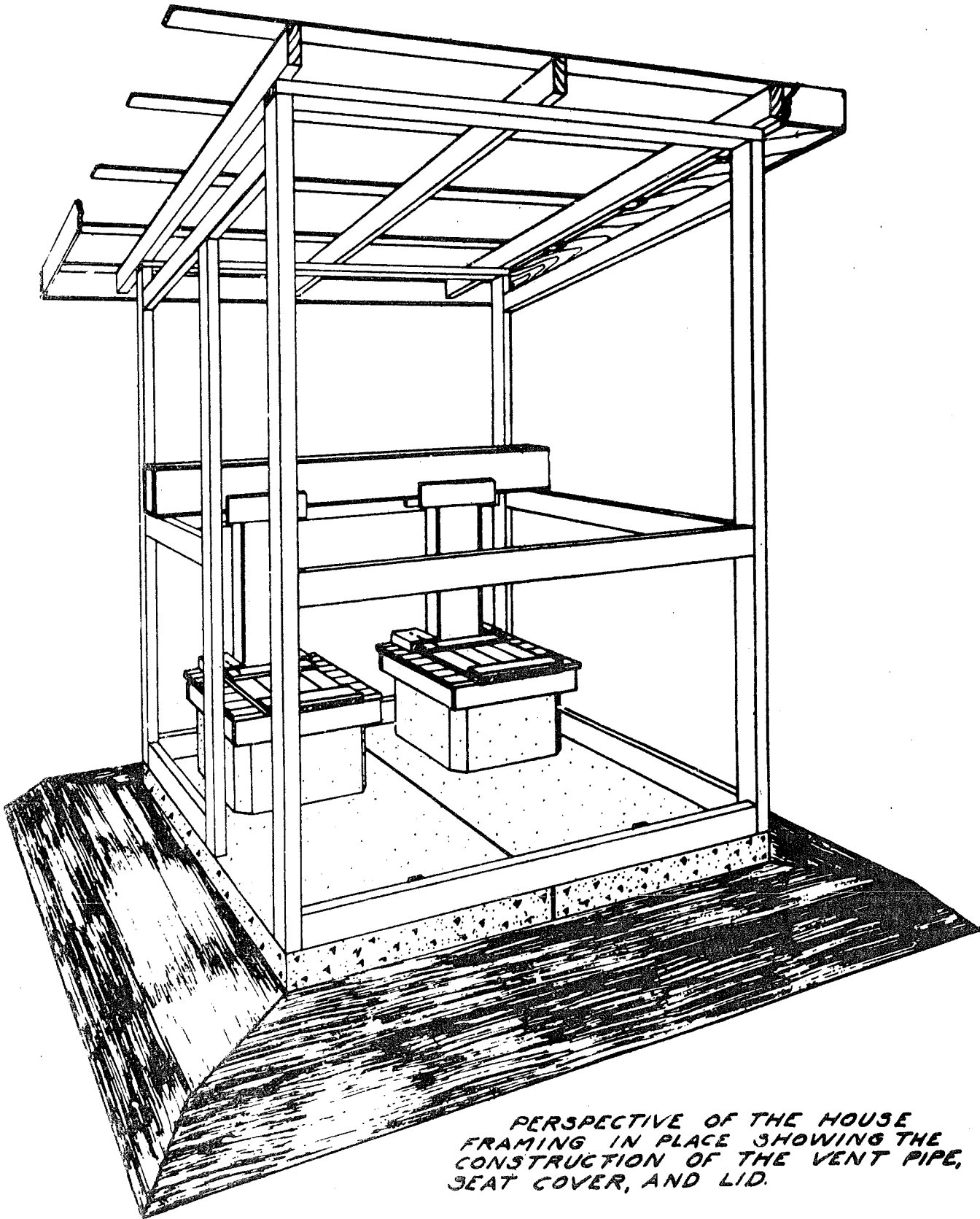
REAR ELEVATION



LEFT SIDE ELEVATION

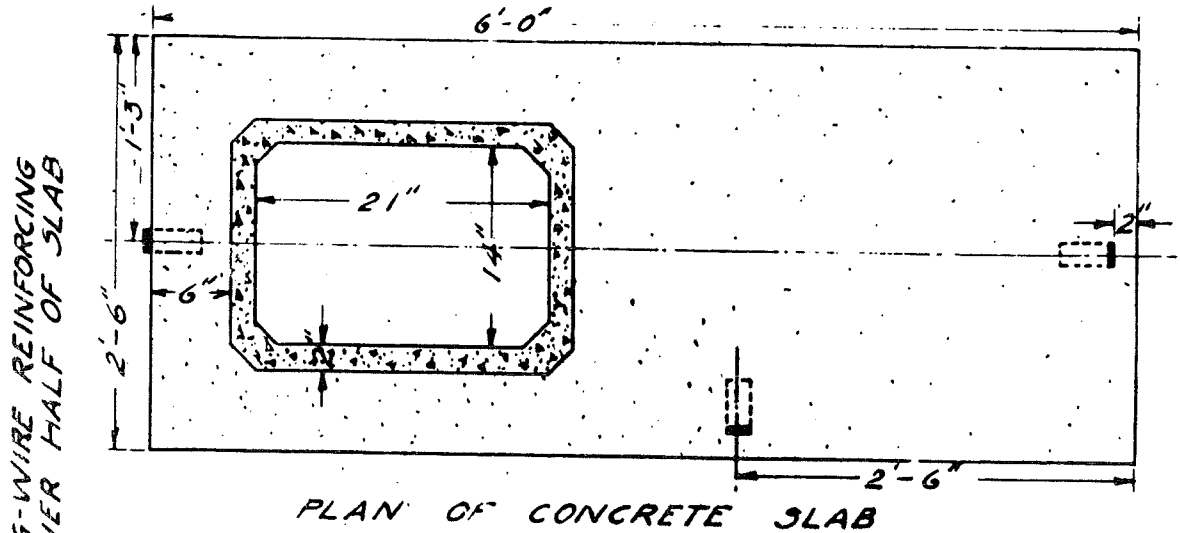
HOUSE ELEVATIONS

R-41

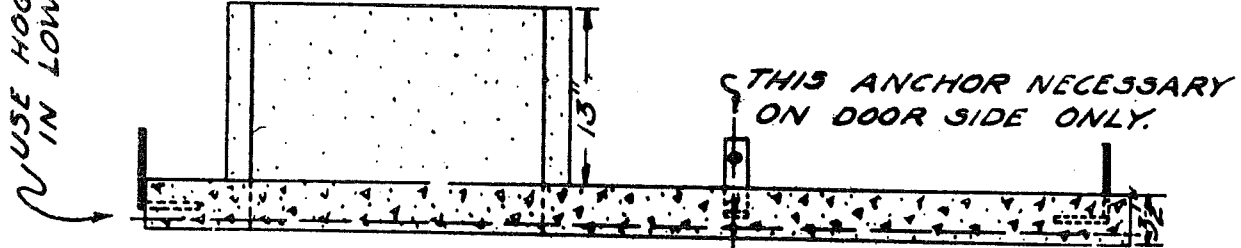


PERSPECTIVE OF THE HOUSE
FRAMING IN PLACE SHOWING THE
CONSTRUCTION OF THE VENT PIPE,
SEAT COVER, AND LID.

NOTE:- DETAILS OF SEAT COVER,
LID, AND VENT PIPE RISER,
SAME AS THAT FOR PRIVATE
PRIVY.

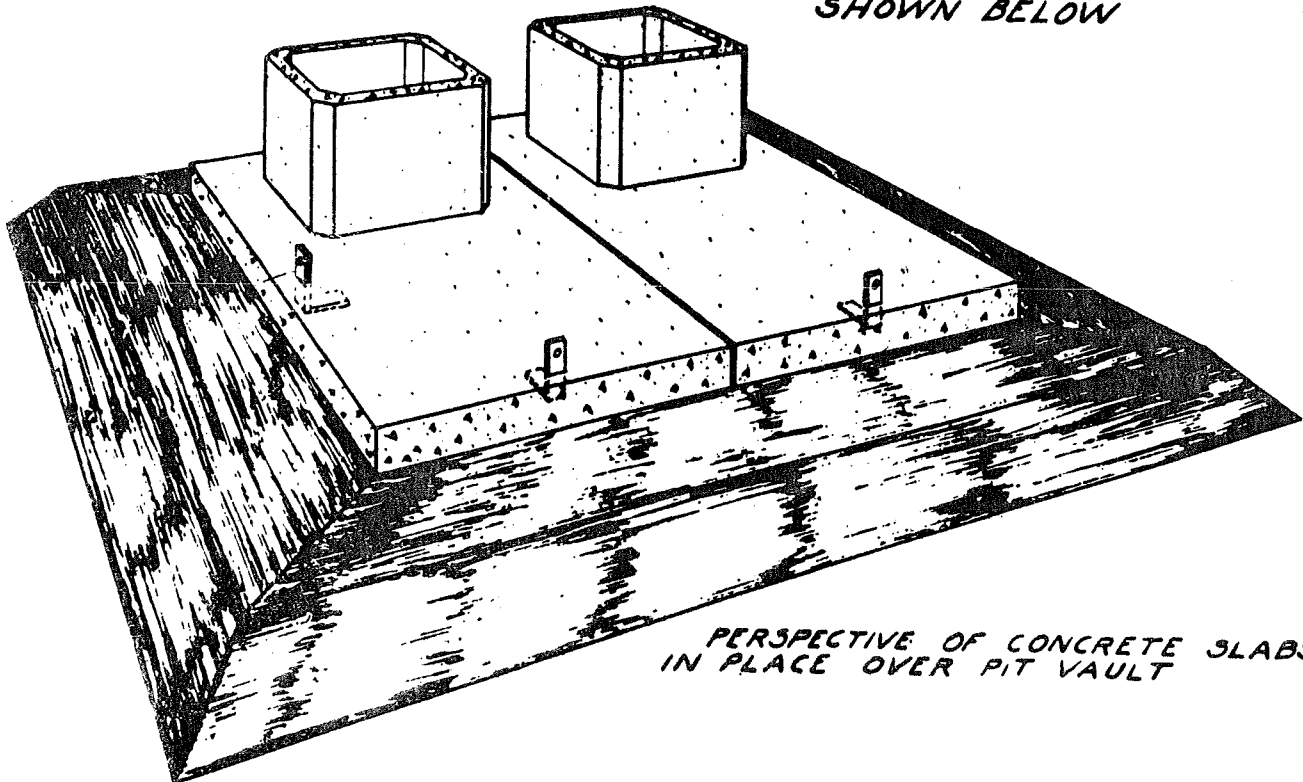


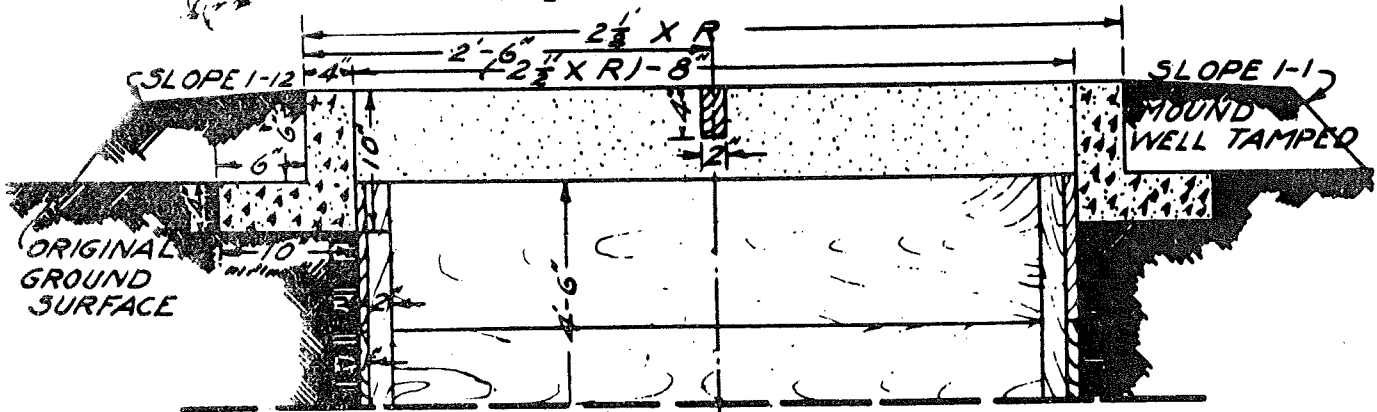
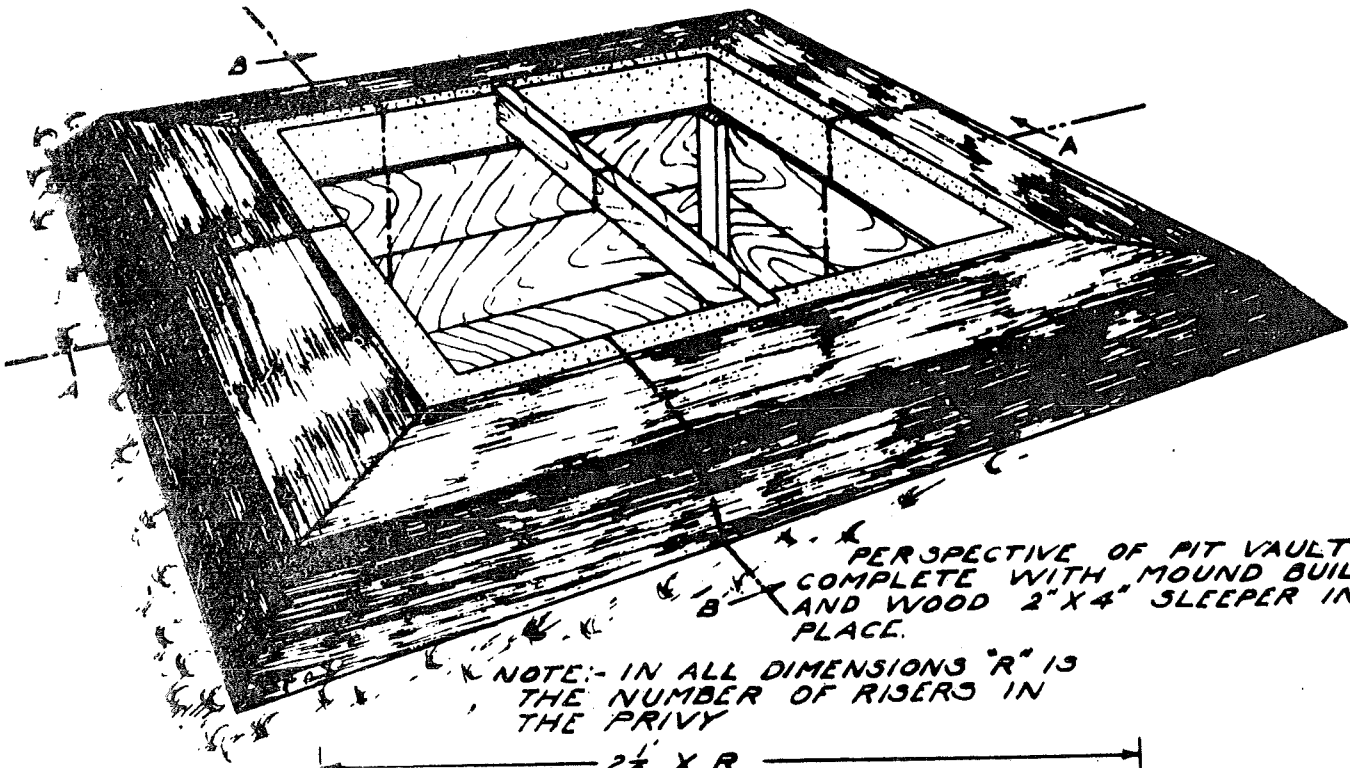
PLAN OF CONCRETE SLAB



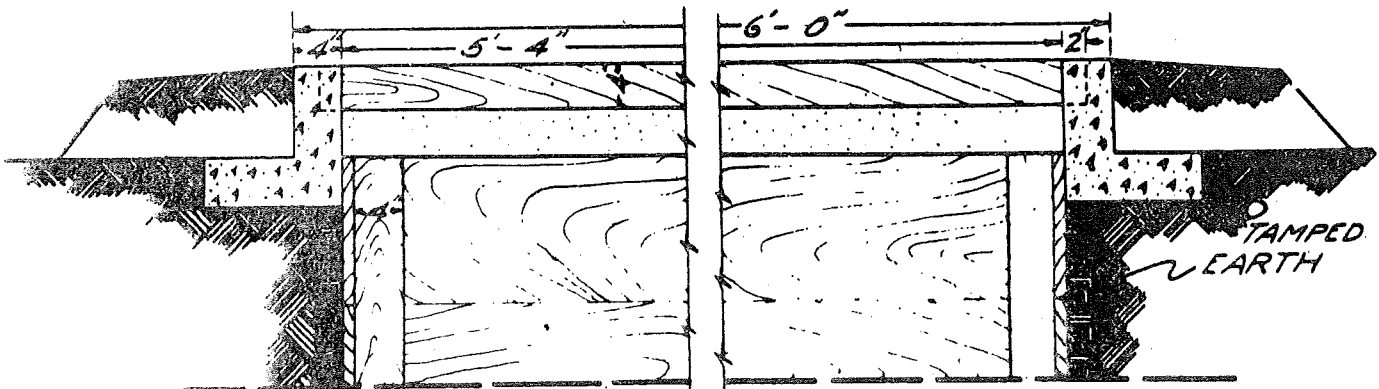
SIDE ELEVATION OF CONCRETE SLAB
DETAIL OF CONCRETE SLAB

NOTE:- CAST SLABS ON CONVENIENT LEVEL SURFACE; WHEN CURED, PLACE AS SHOWN BELOW





NOTE:- ALL DIMENSIONS NECESSARY FOR CONSTRUCTION OF COMPLETE PIT VAULT ARE SHOWN ON SECTIONS A-A AND B-B.



B-957

FORMS FOR REVISED TYPE IV EARTH-PIT PRIVY

BILL OF MATERIALS

No. Pieces	Size	Length each	For
2	2"x3"	10'	Slab
2	2"x4"	10'	Core corner posts;
1	1"x4"	12'	Outer form cleats and corner angles
1	1"x4"	10'	Core intermediates;
1	1"x6" T&G	12'	Outer form and cleats
2	1"x4" T&G	12'	Tie bars (rip to 1"x2")
2	1"x4" T&G	12'	Core sides and ends
2	1"x4" T&G	10'	Core sides and ends
2	1"x4" T&G	10'	Outer form ends
2	1"x4" T&G	10'	Outer form sides

Material for Sill Form depends on whether single form for one or four separate sills, or form for solid ring sill, is to be constructed.

CUTTING TABLE

Piece	No. Pieces	Length each	To be cut from	Waste
Slab	2	4'-0"		
Form	2	5'-0"	2 pieces 2"x3"-10' long	

Riser Core

Corner posts	4	16 $\frac{1}{2}$ "	1 piece 2"x4"-10' long	4'-6"	(1)
Intermediates	4	16 $\frac{1}{2}$ "	1 piece 1"x4"-12' long	6'-6"	(2)
Sides	4	19 $\frac{1}{2}$ "	1 piece 1"x6" T&G		
Ends	4	12 $\frac{1}{2}$ "	12' long		
Sides	4	19 $\frac{1}{2}$ "	1 piece 1"x4" T&G		
Ends	4	12 $\frac{1}{2}$ "	12' long		

Outer Form Sides

Sides	8	26 $\frac{1}{2}$ "	2 pieces 1"x4" T&G		
			10' long		
Cleats	8	12 $\frac{1}{2}$ "	Waste piece No. 1		
Corner angles	2	13"	1 piece 2"x4"		
			10' long		

Outer Form Ends

Ends	8	18"	1 piece 1"x4" T&G		
			12' long		
Cleats	6	12 $\frac{1}{2}$ "	Waste piece No. 2		
Tie bars	6	2'-6"	1 piece 1"x4" - 10'		
			(rip to 1"x2")		

B-957

BILL OF MATERIAL FOR REVISED TYPE IV EARTH-PIT PRIVY

LUMBER

No. Pieces	Size	Length each	For
2	2x4	10 ft. rough	Pit curbing corner posts
9	2x4	12 ft. finished	Bldg. frame, inner seat; hinge block
2	1x4	12 ft. T.G. flooring	Seat top and lid
5	1x4	12 ft. finished	Seat frame, vent, roof sheathing, door battens & brace
1	1x6	12 ft. "	Vent
2	1x8	12 ft. "	Fascia
	1" rough	14 ft.; 70 board ft.	Pit curbing, sheathing
	1" finished	12 ft.; 30 board ft.	Bldg. sheathing, back
	1" "	14 ft.; 98 board ft.	" " , front & sides

HARDWARE

1 pair 6" strap hinges, galvanized with bronze pins
 1 " 3" " " " " " "
 3 pieces 2'x6' corrugated metal roofing
 2 lbs. 16 penny nails
 3 lbs. 8 penny nails
 $\frac{1}{2}$ lb. 6 penny nails
 $\frac{1}{2}$ lb. lead-headed roofing nails
 1 piece 4"x8" - 16-mesh copper or bronze screening
 2 pieces 6"x8" $\frac{1}{2}$ " mesh galvanized hardware cloth
 1 door pull
 1 hook and screw eye
 3/4 gallon house paint

CONCRETE UNIT

1 PIECE HOG WIRE (all No. 9 with 6" stays) 4x4 feet
 3 - $\frac{1}{4}$ " Bars 3' -0" long) slab
 1 - $\frac{1}{4}$ " Bar 2' -0" long)
 8 - 3/8" Bars 4' -0" long (sills)
 $1\frac{1}{2}$ bags cement
 1/3 yd. sand and gravel, or crushed stone (1:2:3 concrete mix)
 5 angle irons 1"x1/8"; 4" and 5" legs; 5" leg with 3/16" hole; 1" from top

CUTTING TABLE FOR REVISED TYPE IV EARTH-PIT PRIVY

All lumber in 12 foot lengths unless otherwise noted.

Kind	No.	Length each	To be cut from	Waste
<u>Pit Curbing</u>				
Corner Posts	4	5'-0"	2 pieces 2x4 10 ft. rough	Note: plan shows minimum depth of pit 4½' - material figured on recom- mended depth of 5'.
Curb siding		3'-5"	70 board feet, 1" rough - material in 14 ft. lengths	
<u>Seat</u>				
Outside frame ends	2	19¾" } }	1 piece 1"x4" (finished) 4'-6½" for vent(1)	9'-0" for lid (2)
Outside frame sides	2	25"		
Seat top	9	20"	2 pieces 1"x4" t. g. flooring	9'-0" for two (3) vent spacers and purlin
Inside frame	2	18"	1 piece 2"x4"	
<u>Vent</u>				
Vertical sides	2	24"	Waste 1"x4" No. 1 above	
Horizontal bottoms	2	16½" } }	1 piece 1"x4"	3'-10½" for lid battens (4)
Horizontal top	1	3'-4½"		
Cleats	2	12"		
Vertical front and back	2	24" } }	1 piece 1"x6"	6'-7½"
Horizontal front and back	2	3'-4½"		
<u>Lid</u>				
Lid	4	22"	Waste 1"x4" t.g. flooring No. 2 above	
Battens	2	15"	Waste 1"x4" No. 4 above	
Hinge blocks	2	6"	1 piece 2"x4"	11'-0" for front(5) sill and front stud
<u>Building</u>				
Left sill	1	4'-0" } }	1 piece 2"x4"	Waste 2"x4" No. 5 above
Rear sill	1	3'-8¾"		
Right sill	1	3'-8 3/8"		
Front sill	1	1'-11½"		
Plates	2	4'-0"	1 piece 2"x4"	

B-957

- 2 -

Kind	No.	Length each	To be cut from	Waste
Front studs	2	6'-6"	1 each from 2 pieces 2"x4"	
Rear studs	2	5'-2 3/8"		
Front stud	1	6'-2 3/8"	Waste 2"x4" No. 5 above	
Rafter	1	5'-9"	1 piece 2"x4"	
Rafters	2	5'-9"	1 piece 2"x4"	
Vent spacers	2	3'-6"	Waste 2"x4" No. 3 above	
Front purlin	1	1'-11 1/2"		
Side purlin	2	3'-4 3/4"	1 piece 2"x4"	
Rear purlin	1	3'-8 1/2"		
Roof sheathing	4	5'-8"	2 pieces 1"x4"	
Door battens	2	1'-6"	1 piece 1"x4"	
Door brace	1	5'-4 1/2"		
Fascia sides	2	5'-9"	1 piece 1"x8"	Note: 1"x6" fascia may be substituted if desired.
Fascia ends	2	5'-9 1/2"	1 piece 1"x8"	
Siding, back			30 board ft., 1 in 12 foot lengths	Note: If 6" fascia used door to be shortened to 6'-5 1/2"
Siding, front and sides			96 board feet, 1 in. 14 foot lengths	